

D2676

Description of engines

Characteristics

- Cylinders and arrangement: 6 cylinders in-line
- Mode of operation: Four-stroke diesel engine with direct fuel injection
- Turbocharging: Turbo charger with charge air cooling
- Engine cooling: Water circulation by means of attached rotary pump and front end combination radiator
- Injection: Common Rail injection system with an injection pressure of 1 800 bar
- Engine control: EDC7 control unit with engine management computer
- Monitoring: Operator panel available on request

D2676

Technical data



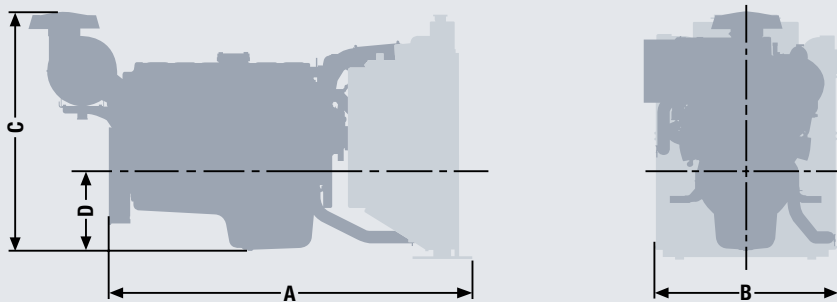
Technical features D2676

Mode of operation		ESP		LTP		PRP		COP	
at engine speed	rpm (Hz)	1 500 (50)	1 800 (60)	1 500 (50)	1 800 (60)	1 500 (50)	1 800 (60)	1 500 (50)	1 800 (60)
Engine version		LE 223	LE 223	LE 221	LE 221	LE 231 ³⁾ LE 221	LE 241 ³⁾ LE 221	LE 221	LE 221
Bore	mm	126	126	126	126	126	126	126	126
Stroke	mm	166	166	166	166	166	166	166	166
Displacement	l	12.4	12.4	12.4	12.4	12.4	12.4	12.4	12.4
blocked ISO effective power ¹⁾	kW	440	415	396	415	-	-	-	-
Torque	Nm	2 801	2 200	2 521	2 200	-	-	-	-
ISO standard power ²⁾	kW	-	-	-	-	360	377	270	283
Torque	Nm	-	-	-	-	2 292	2 000	1 719	1 500
Net engine power output	kVA	510	470	450	470	410	420	300	310

1) Time-limited continuous output that must not be exceeded (IFN).

2) Variable continuous output during PRP operation, can be exceeded by 10% for limited period (ICXN).

3) Exhaust emissions according to EU 97/68 EC Level 2



Dimensions D2676

Type designation	LE 223/LE 221 /LE 231/LE 241	
A-Length with fan-cooled radiator	mm	2 518
B-Width with fan-cooled radiator	mm	1 080
C-Height with fan-cooled radiator	mm	1 406
D-Height of lower edge of engine to middle of crankshaft	mm	423
Dry weight with cooling system	kg	1 165