



E2676

Description of Engines

Characteristics E2676 E

- Cylinders and arrangement: 6 cylinders in-line
- Mode of operation: four-stroke spark-ignition gas engine
- Engine cooling: water-cooled
- Exhaust system: water-cooled exhaust pipes

Characteristics E2676 LE

- Cylinders and arrangement: 6 cylinders in-line
- Mode of operation: four-stroke spark-ignition gas engine
- Turbocharging: turbo charger with water-cooled turbine housing and pressure-oil lubricated bearings
- Engine cooling: water-cooled
- Air-fuel mixture cooling: two-stage cooler

E2676

Technical Data



Technical features E2676

| Mode of operation | | COP with natural gas | | | | | COP with special gas | | | |
|--|--------------------|----------------------|----------------------|--------|---------------------|----------------------|----------------------|----------------------|------------|--------|
| | | 1 500 (50) | | | 1 800 (60) | | 1 500 (50) | | 1 800 (60) | |
| at engine speed rpm (Hz) | | | | | | | | | | |
| Engine version | | E 302 ⁴⁾ | LE 202 ⁴⁾ | LE 202 | E 302 ⁴⁾ | LE 202 ⁴⁾ | LE 202 | LE 212 ⁴⁾ | LE 212 | LE 212 |
| Bore | mm | 126 | 126 | 126 | 126 | 126 | 126 | 126 | 126 | 126 |
| Stroke | mm | 166 | 166 | 166 | 166 | 166 | 166 | 166 | 166 | 166 |
| Displacement | l | 12.4 | 12.4 | 12.4 | 12.4 | 12.4 | 12.4 | 12.4 | 12.4 | 12.4 |
| ISO standard power ⁵⁾ | kW | 140 | 220 | 220 | 160 | 250 | 250 | 220 | 220 | 250 |
| Air-fuel ratio | λ | 1.00 | 1.73 | 1.73 | 1.00 | 1.74 | 1.72 | 1.57 | 1.62 | 1.61 |
| Coolant heat ¹⁾ | kW | 107 | 113 | 110 | 122 | 124 | 113 | 109 | 108 | 121 |
| Exhaust heat based on 120 °C ¹⁾ | kW | 86 | 130 | 121 | 104 | 156 | 148 | 131 | 113 | 137 |
| Efficiency ¹⁾ | | | | | | | | | | |
| – mechanical ⁵⁾ | % | 39.3 | 41.3 | 43.4 | 38.7 | 39.4 | 41.1 | 40.2 | 42.2 | 40.3 |
| – thermal | % | 54.2 | 47.8 | 46.8 | 54.7 | 49.1 | 46.4 | 49.1 | 44.1 | 46.4 |
| – total | % | 93.5 | 89.1 | 90.2 | 93.4 | 88.5 | 87.5 | 89.3 | 86.3 | 86.7 |
| Emissions status NO _x ²⁾ | mg/Nm ³ | < 5 700 | < 250 | < 500 | < 6 500 | < 250 | < 500 | < 250 | < 500 | < 500 |
| Combustion ³⁾ | | st | m | m | st | m | m | m | m | m |

1) at 100 % load

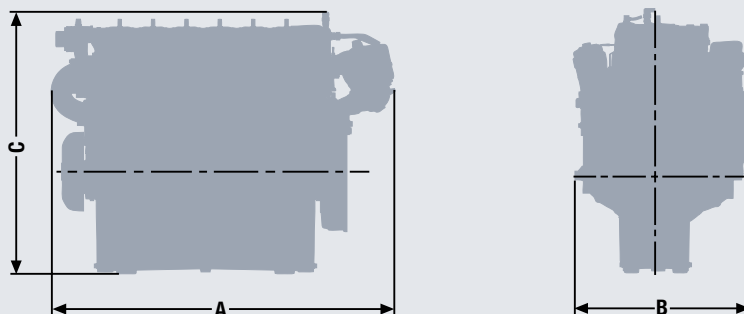
2) with 5 % exhaust-gas oxygen

3) m = lean, st = stoichiometric

4) Data conditional and on request

5) in accordance with German Industrial Standard DIN ISO 3046, Part 1

Technical data is based on a calorific fuel value of 10 kWh/Nm³ for natural gas and 6 kWh/Nm³ for special gas. The values are provided for information purposes only and are non-binding.



Dimensions E2676

| Type designation | | E 302 | LE 202 | LE 212 |
|------------------|----|-------|--------|--------|
| A-Overall length | mm | 1 594 | 1 589 | 1 589 |
| B-Overall width | mm | 936 | 808 | 808 |
| C-Overall height | mm | 1 175 | 1 206 | 1 206 |
| Dry weight | kg | 967 | 985 | 985 |

All data are reference values. Please request installation drawings for detailed specifications.